

## Profile LED Lumines F

Lumines F surface-mounted Profile.  
Mounting: two-sided adhesive tape.

### PRODUCT PARAMETERS

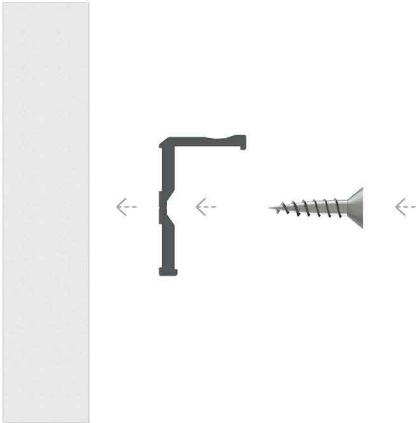
Dimensions (mm)	1000, 2020, 2900
The width of the LED tape	do 17 mm
Application	Surface-mounted profile - for decorative lighting in offices and homes

## Profil F - colours



# Installation diagrams

fig. 1



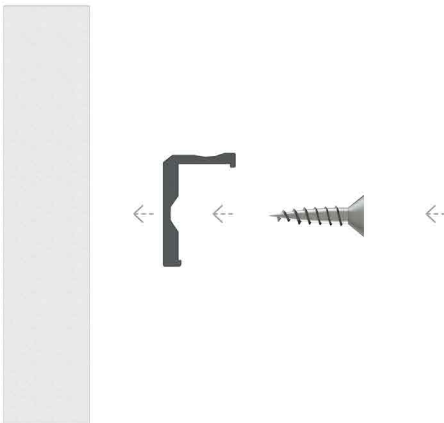
Installation Instructions for profile E using a mounting screw

fig. 2



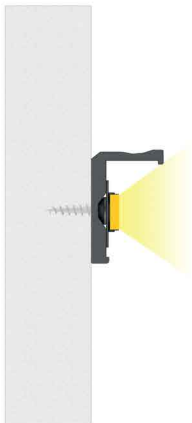
The end result of the installation of profile E using a mounting screw

fig. 3



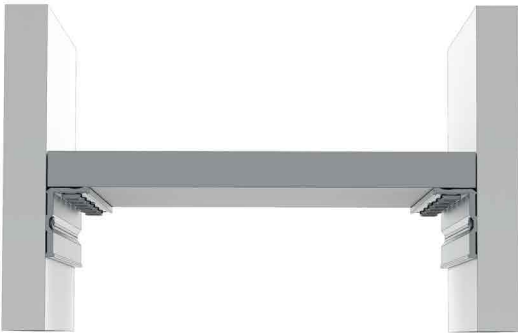
Installation Instructions for profile F using a mounting screw

fig. 4



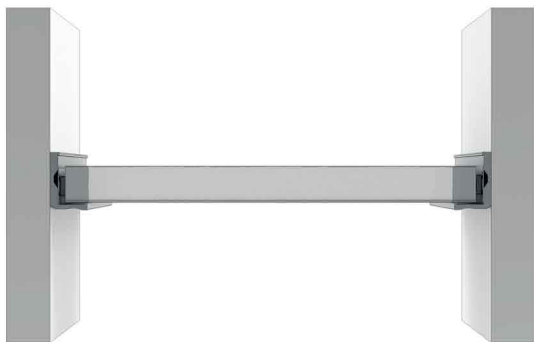
The end result of the installation of profile F using a mounting screw

fig. 5



Installation scheme for profile E under shelves

fig. 6



Installation scheme for profile F for glass shelves