

## Profile LED Lumines G

Lumines G Groove-mounted profile -  
for decorative lighting in offices and homes

### PARAMETRY PRODUKTU

Dimensions (mm) 1000, 2020, 2900

The width of the LED tape do 12 mm

Application Groove mounted profile – for lighting kitchens and stores. Ideal for lighting shelves, countertops and stairs.

Accessories  
end caps BASIC [with hole]:  
\* gray, black, white, inox  
covers BASIC:  
\* transparent, frozen, milky  
covers BASIC PMMA:  
\* frosted, milky frosted  
contactless switch

catch also

### End caps



### Covers [PVC/PMMA\PC]



### Profil G - colours

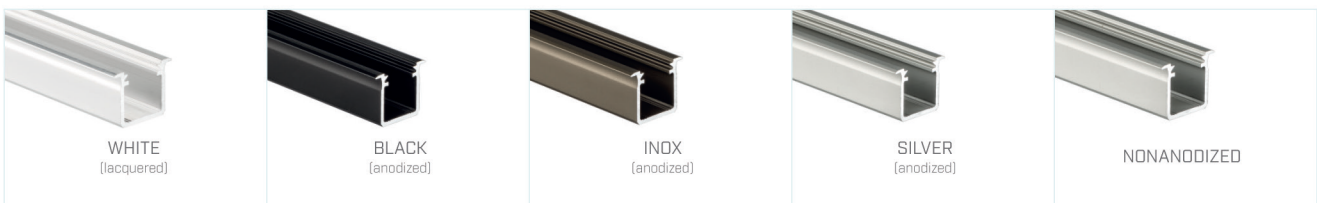
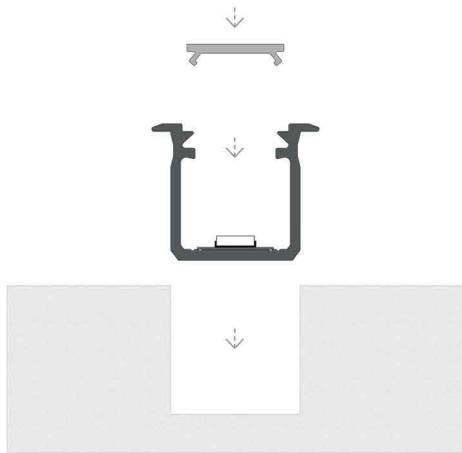


fig. 1



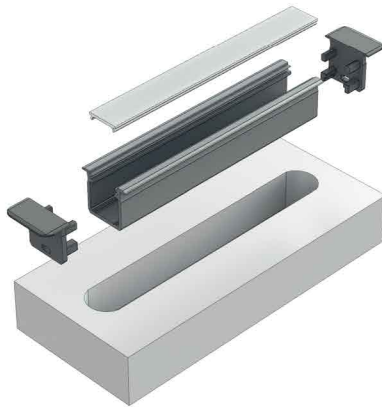
Installation instructions for groove mounted profile G with a BASIC cover

fig. 2



The end result of installation of groove mounted profile G with a BASIC cover

fig. 3



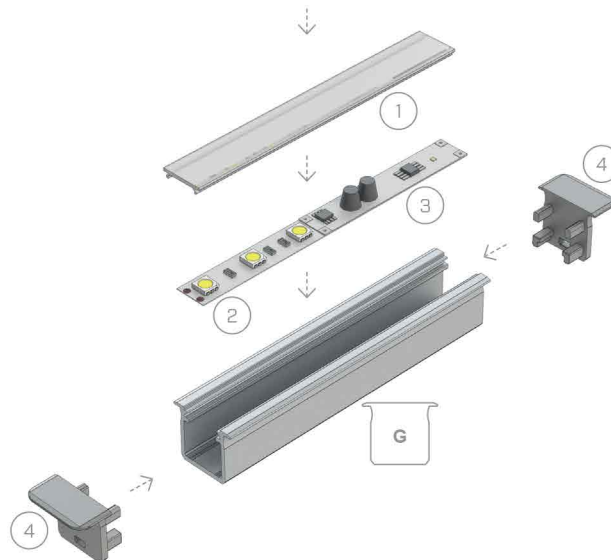
Isometric view before mounting profile G inside a milled hole with BASIC cover and side end caps

fig. 4



The end result of installation of groove mounted profile G with a BASIC cover in plaster board

fig. 5



Assembly schematic for the elements of the lighting system using groove mounted profile G and (1) BASIC cover, (2) LED strip, (3) contactless switch, (4) end caps with holes