

## Profile LED Lumines Z

Lumines Z groove-mounted Profile.  
Mounting: two-sided adhesive tape.

### PRODUCT PARAMETERS

Dimensions (mm)	1000, 2020, 2900
The width of the LED tape	up to 12 mm
Application	Groove-mounted profile - for decorative lighting in offices and homes

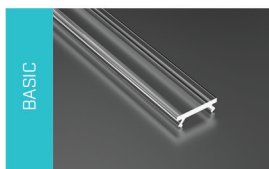
Accessories	<p>end caps BASIC [with hole]:</p> <ul style="list-style-type: none"> <li>* gray, black, white, inox</li> </ul> <p>covers BASIC:</p> <ul style="list-style-type: none"> <li>* transparent, frosted, milky</li> </ul> <p>covers BASIC PMMA:</p> <ul style="list-style-type: none"> <li>* frosted, milky frosted</li> </ul> <p>contactless switch</p>
-------------	---

also check

### End caps



### Covers [PVC/PMMA\PC]



### Profile Z - colours

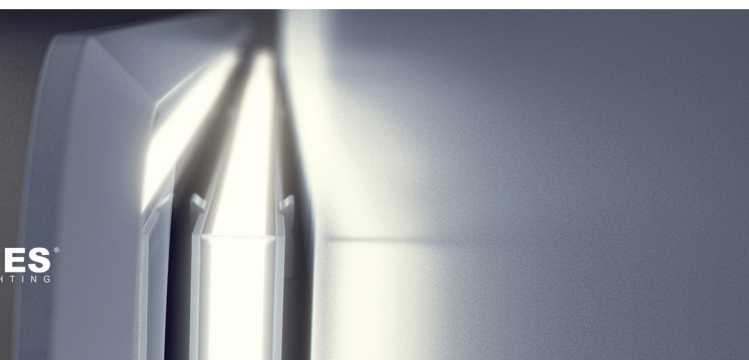
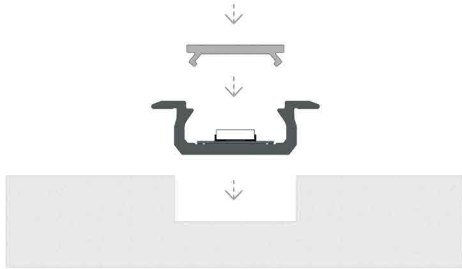


fig. 1



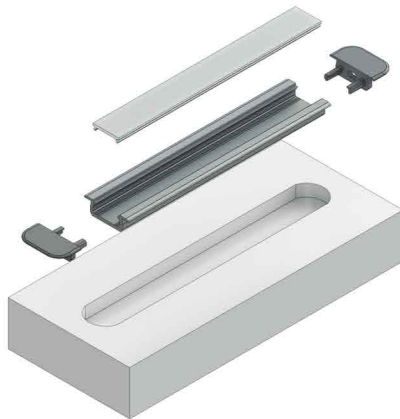
Installation instructions for groove mounted profile Z with a BASIC cover

fig. 2



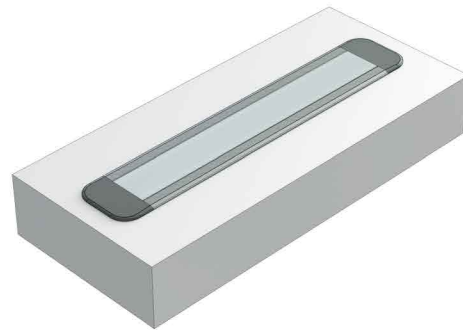
The end result of installation of groove mounted profile Z with a BASIC cover

fig. 3



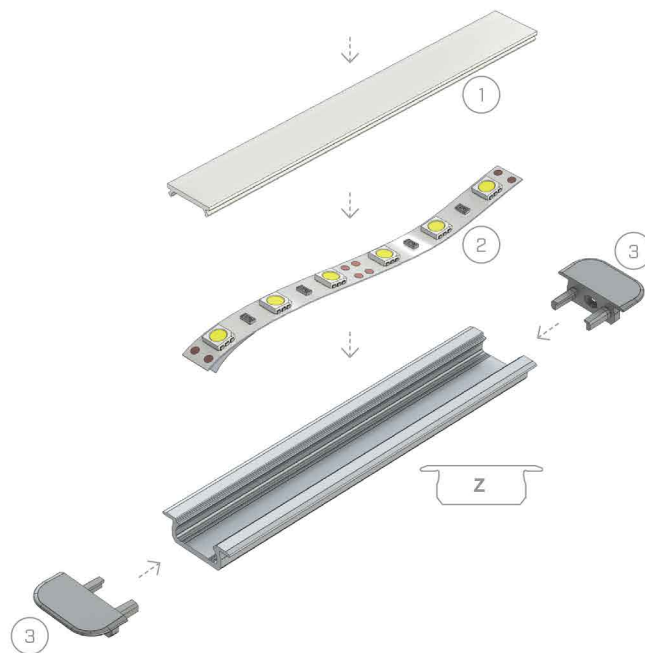
Isometric view before mounting profile Z inside milled hole with round end cap

fig. 4



Installation of profile Z inside the milled hole in plaster board

fig. 5



Assembly scheme for elements of the lighting system using profile Z and (1) BASIC cover, (2) a LED strip, (3) end caps with holes