



## Profile LED Lumines C

Lumines C angle profile 45 degrees

Mounting: two-sided adhesive tape, mounting clips.

### PRODUCT PARAMETERS

Dimensions (mm) 1000, 2020, 2900

The width of the LED tape do 12 mm

Application Surface-mounted profile - for decorative lighting in offices, homes and stairs.

Also catch

### End caps

### Mounting clips



### Covers [PVC/PMMA\PC]



### Accessories

end caps BASIC [with hole, without hole]:

\* gray, black, white, inox  
covers BASIC:

\* transparent, frosted, milky  
covers BASIC PMMA:

\* frosted, milky frosted  
mounting clips:

\* for C with BASIC cover  
contactless switch

12V, 3A, 36W

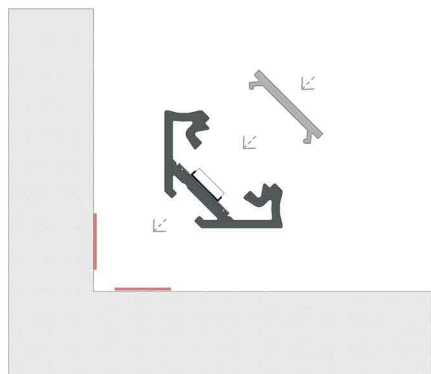
### Profile C - colours





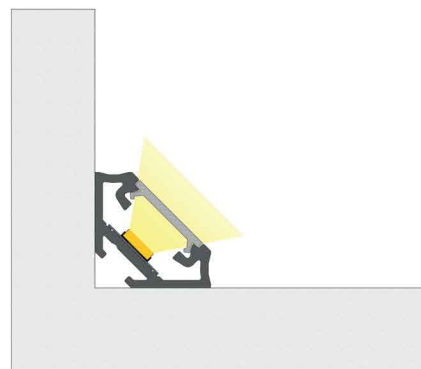
# Installation diagrams

fig. 1



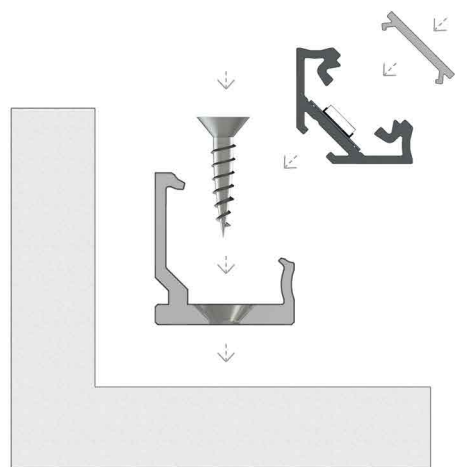
Installation instructions for angular profile C with a BASIC cover using double-sided tape

fig. 2



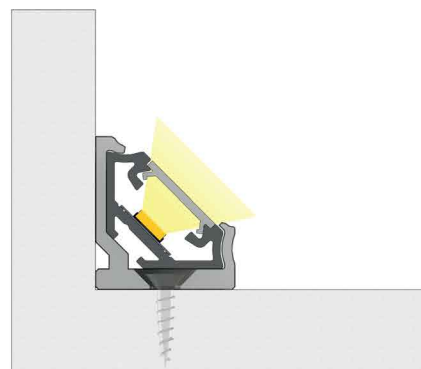
The end result of assembly of angular profile C with a BASIC cover using double-sided tape

fig. 3



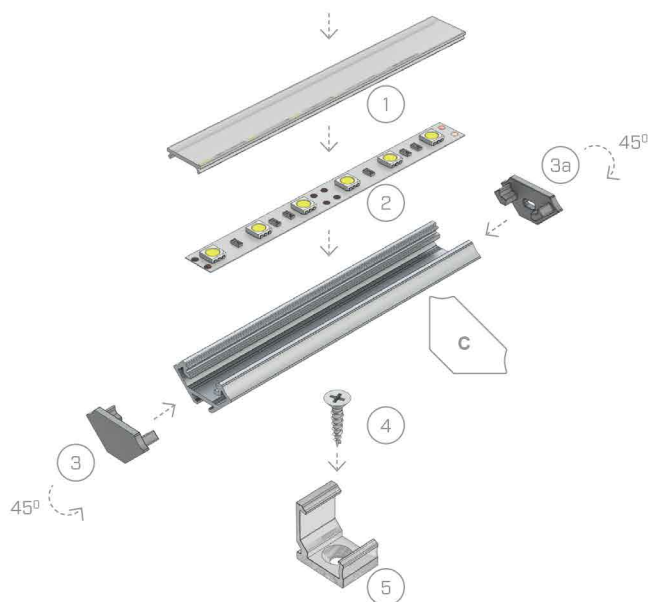
Installation instructions for angular profile C with a BASIC cover using a mounting clip and screw

fig. 4



The end result of installation of angular profile C with a BASIC cover using a mounting clip and screw

fig.5



Assembly scheme for elements of a lighting system using an angular profile C and (1) a BASIC cover, (2) a LED strip, (3) end cap without hole, (3a) end cap with hole, (4) screw, (5) mounting clip