

## Profile LED Lumines D

Lumines D : surface-mounted Profile.  
Mounting: two-sided adhesive tape.

### PRODUCT PARAMETERS

Dimensions (mm)	1000, 2020, 2090
The width of the LED tape	do 12 mm
Application	Surface-mounted profile - for decorative lighting in offices and homes

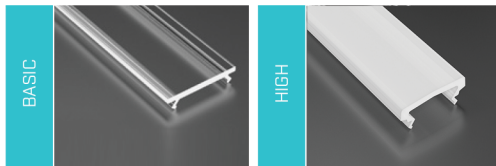
also catch

### End caps

### Mounting clips



### Covers [PVC/PMMA\PC]



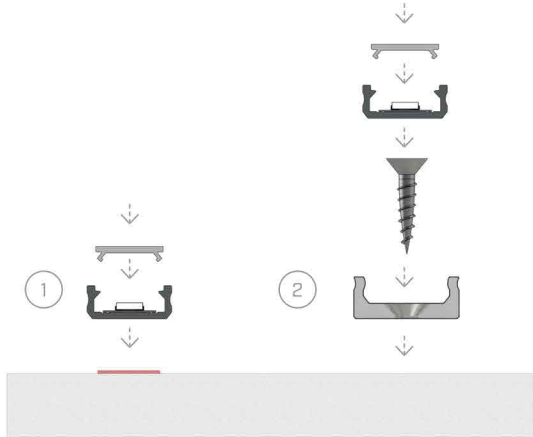
Accessories

- end caps BASIC [with hole, without hole]:
  - \* gray, black, white, inox
- end caps HIGH [with hole, without hole]:
  - \* gray, black, white, inox
- covers BASIC:
  - \* transparent, frozen, milky
- covers BASIC PMMA:
  - \* frosted, milky frosted
- covers HIGH:
  - \* transparent, frozen, milky
- mounting clips:
  - \* for D with HIGH cover, for D with mini cover
- pendants

### Profile D - colours

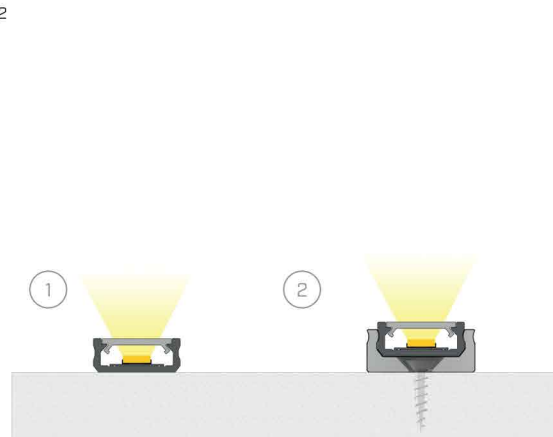


fig. 1



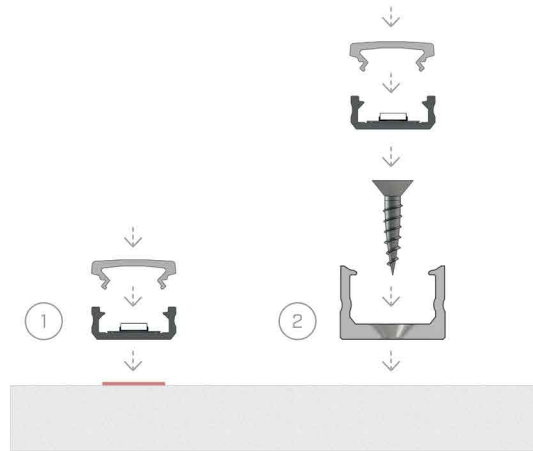
Installation instructions for profile D with a BASIC cover using (1) double-sided tape, (2) a MINI mounting clip and screw

fig. 2



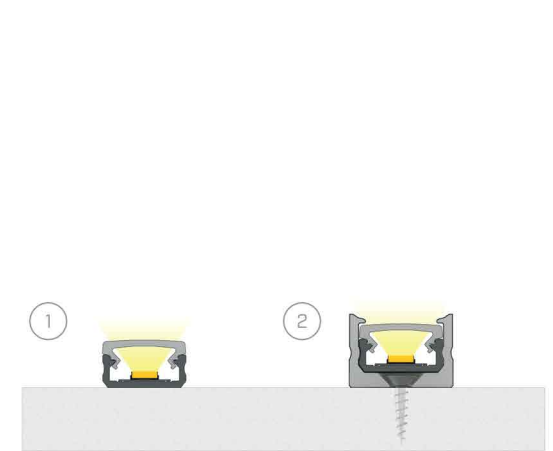
The end result of installation of profile D with a BASIC cover using (1) double-sided tape, (2) a MINI mounting clip and screw

fig. 3



Installation instructions for profile D with a HIGH cover using (1) double-sided tape, (2) a mounting clip and screw

fig. 4



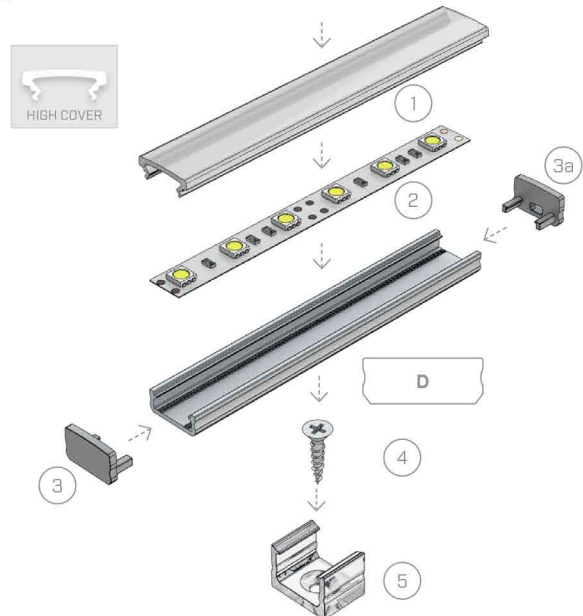
The end result of installation of profile D with a HIGH cover using (1) double-sided tape, (2) a mounting clip and screw

fig. 5



Assembly scheme for elements of the lighting system using profile D and (1) BASIC cover, (2) LED strip (3) end cap without hole, (3a) end cap with hole, (4) screw, (5) MINI mounting clip for profile D

fig. 6



Assembly scheme for elements of the lighting system using profile D and (1) a HIGH cover, (2) LED strip, (3) end caps without hole, (3a) end caps with hole, (4) screw, (5) mounting clip for profile D with HIGH cover